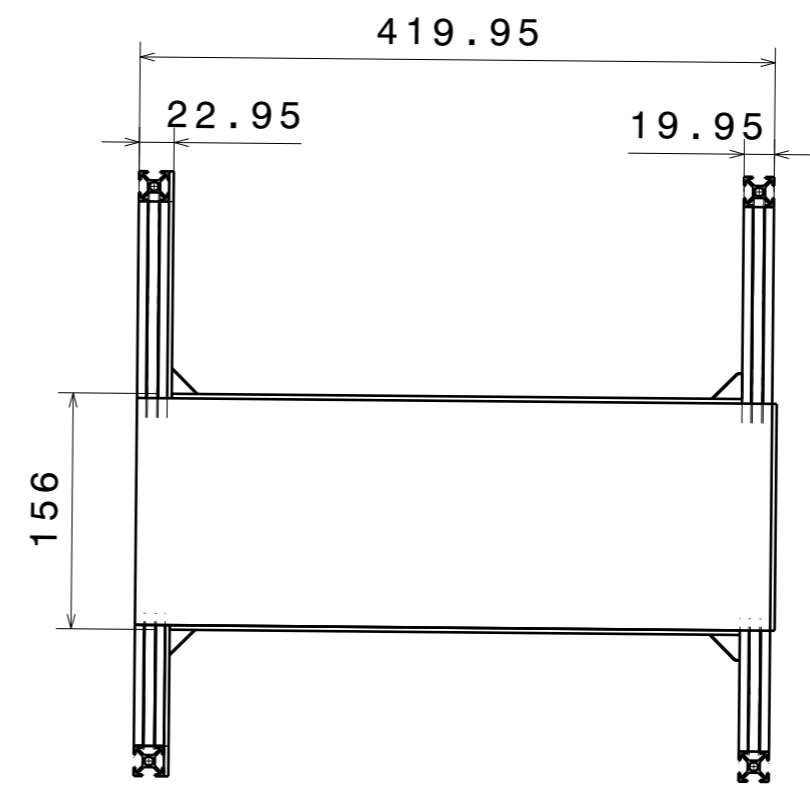
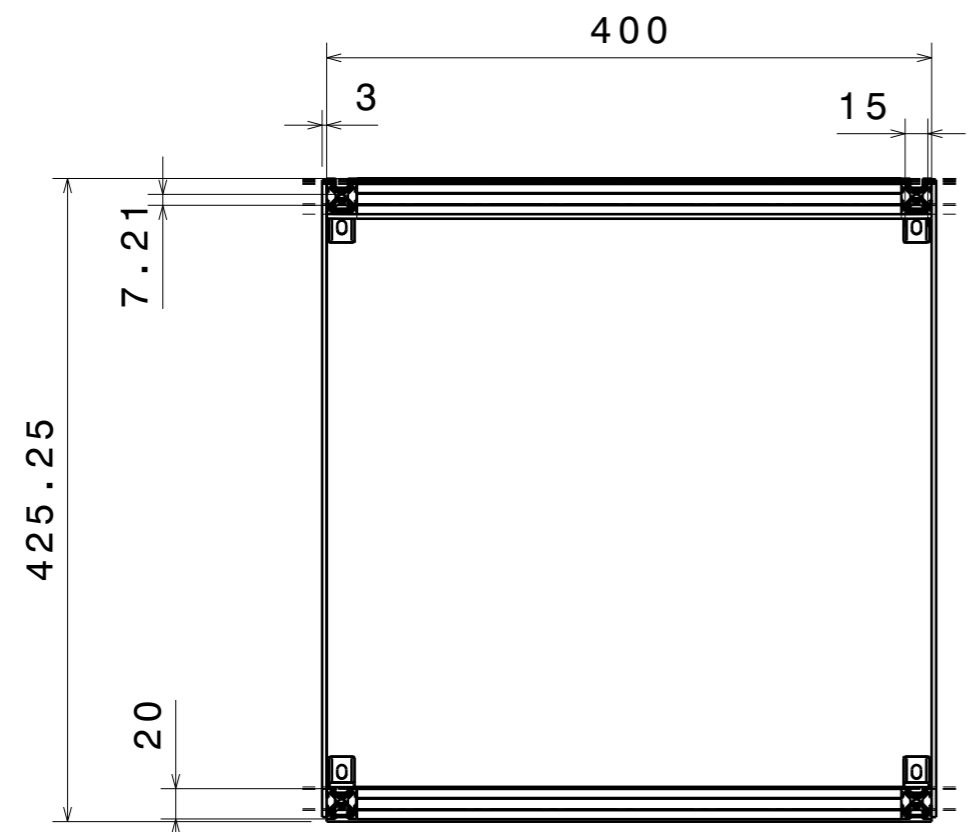


Front view
Scale: 1:5



Left view
Scale: 1:5



Top view
Scale: 1:5

DESIGNED BY: Carlos	Ply Name	Maquina	I	-
DATE: 25/11/2024	Material	XXXX	H	-
CHECKED BY: XXX	Direction	XXXX	G	-
DATE: XXX	Thickness	XXXX	F	-
SIZE A3	SequenceID	XXXX	E	-
SCALE 1:5	GroupID	XXXX	D	-
WEIGHT (kg) 2,51			C	-
			B	-
			A	-

This drawing is our property; it can't be reproduced or communicated without our written agreement.