

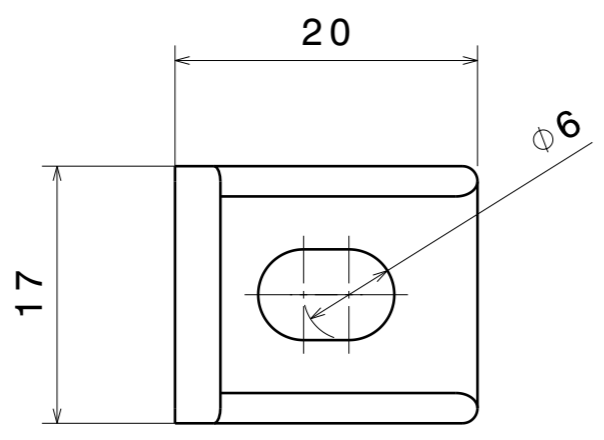
H G F E D C B A

4

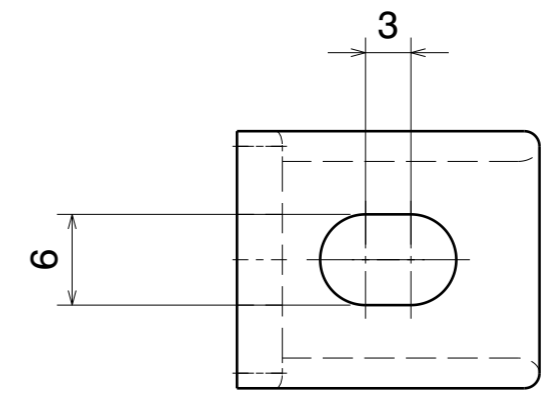
4

3

3



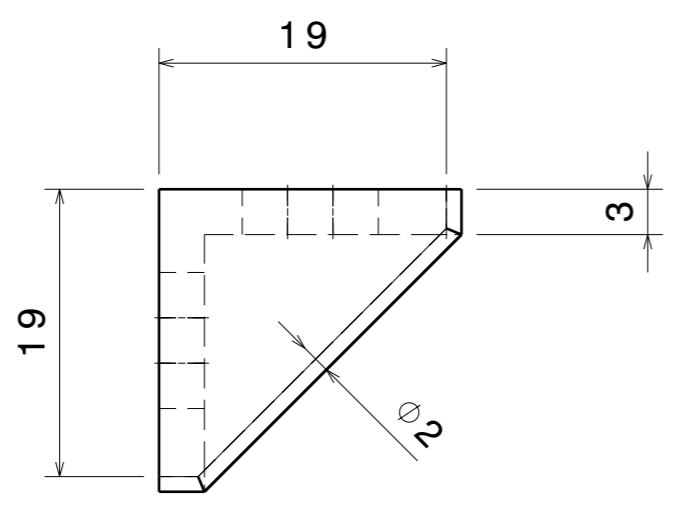
Front view
Scale: 2:1



Left view
Scale: 2:1

2

2



Top view
Scale: 2:1

1

1

H G F E D C B A

DESIGNED BY: Carlos		Ply Name	XXXX	I	-
DATE: 25/11/2024		Material	XXXX	H	-
CHECKED BY: XXX		Direction	XXXX	G	-
DATE: XXX		Thickness	XXXX	F	-
SIZE A3		SequenceID	XXXX	E	-
SCALE 2:1		Weight (kg)	0,00	D	-
		GroupID	XXXX	C	-
				B	-
				A	-

This drawing is our property; it can't be reproduced or communicated without our written agreement.